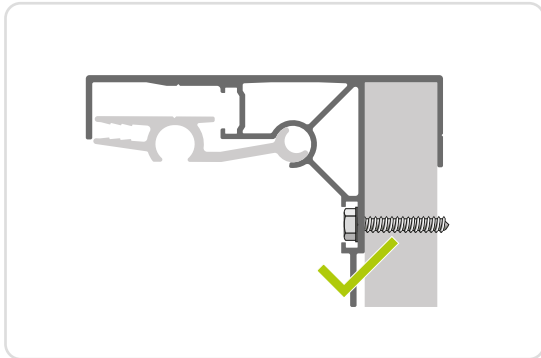


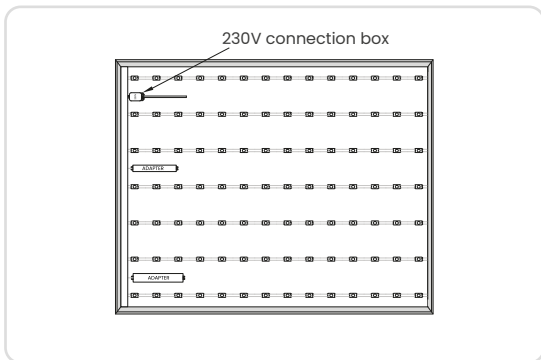
Installation manual Outdoor Tension Lightbox 100

It is essential that the LED frame is mounted on a flat surface and that a backlit PVC banner is used. Check the power supply location and where it enters the LED frame. Ensure the cable is long enough to reach the connection box.



1. Drilling holes in the profile

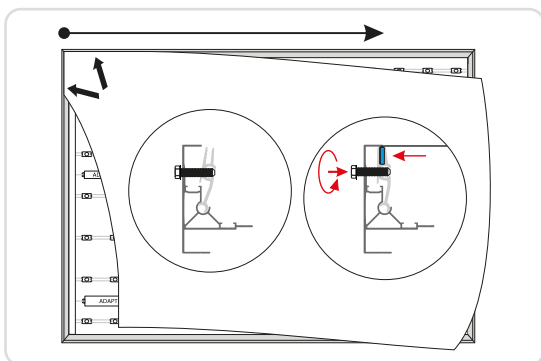
The Outdoor Tension Lightbox 100 profile is delivered without pre-drilled holes. Attach the frame securely to the wall using appropriate fixings for the type of wall you are mounting to. Drill the holes through the mounting channel.



2. Mounting the frame and connecting the cable

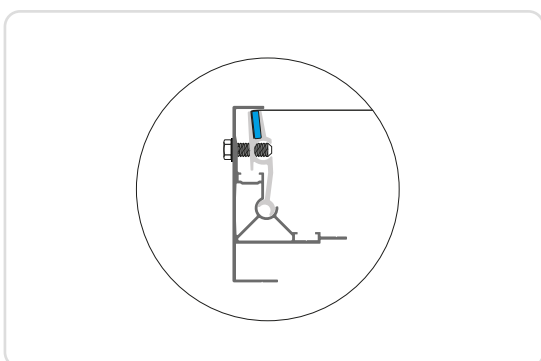
Mount the frame level onto the wall. Connect the 230V mains power to the connection box inside the LED frame. Before attaching the fabric, check that all LEDs are functioning properly.

To ensure proper drainage, $\varnothing 7$ mm drainage holes must be drilled in the bottom profile of the frame.



3. Attaching the PVC banner

Slide the silicone strip into the profile, starting at the top left-hand corner. Then slide the silicone strip into the entire upper profile, after which you half-tighten the Allen screws of the upper profile. The silicone strip can then be slide into the left and right sides of the frame and, lastly, into the bottom.



4. Tensioning the PVC fabric

Tighten the Allen screws evenly, starting with the bottom profile, followed by the side profiles, and finishing with the top profile.

Please note: it is not advisable to attach the fabric into the frame when there is too much wind.